

Cartridge filter housing AT-G



[-> to the product](#)

The AT-G housing is completely made of stainless-steel. Filter head and lower part are connected by a union nut.

The DOE filter element is secured by a guide rod and fixed with a sealing cap in the housing. The sealing of the filter cartridge occurs through the cutting edges in the filter head and the cutting edge at the end of the guiding rod.

Compared to the AT-ZS, less space is required to replace the filter cartridge, since the guiding rod is not connected to the filter head.

The AT-G filter housings are available in different sizes to fit filter cartridges between 4 7/8" and 20" length. The variety of available filter cartridges results in a wide range of applications for industrial filtration.

Optional accessories:

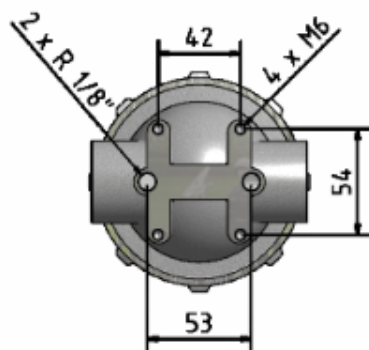
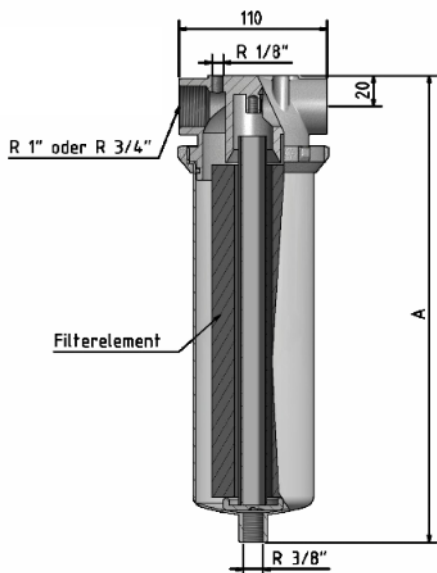
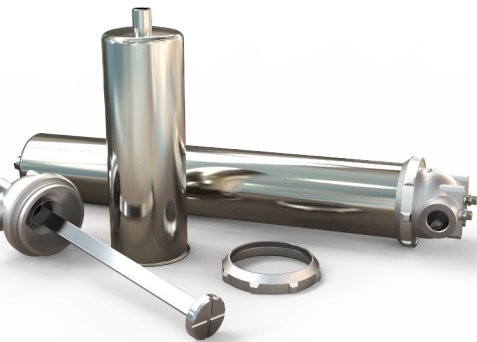
- Bracket for wall mounting
- Mounting wrench
- Drain valve
- Vent valve

Technical Data

Material:	Head: stainless steel 1.4301 Lower-part: stainless steel 1.4404 Union nut: stainless steel 1.4301
In-/ Outlet:	3/4" or 1" female thread DIN ISO 228 G/ BSPP
Drain:	3/8" female thread DIN ISO 228 G/ BSPP
Gasket:	EPDM (FDA), others on demand
Working pressure:	max. 16 Bar
Working temp.:	max. 80°C with standard gasket
Flow rate:	Up to 4 m ³ /h *
Adapter:	DOE

Manufactured acc. to the pressure equipment directive (2014/68/EU) article 4, p. 3

* Depending on the connections and the micron rating of the filter



Dimension

Type	A
AT-400	203 mm
AT-400-A	223 mm
AT-401	326 mm
AT-401-A	340 mm
AT-410	326 mm
AT-410-A	340 mm
AT-402	575 mm
AT-402-A	595 mm
AT-420-A	605 mm

Order information

AT -	<input type="text"/>	-	<input type="text"/>	- G - SS -	<input type="text"/>																								
	<table border="1"> <thead> <tr> <th colspan="2">Element length</th> </tr> </thead> <tbody> <tr> <td>400</td> <td>4 7/8"</td> </tr> <tr> <td>401</td> <td>9 3/4"</td> </tr> <tr> <td>410</td> <td>10"</td> </tr> <tr> <td>402</td> <td>19 1/2"</td> </tr> <tr> <td>420</td> <td>20"*</td> </tr> </tbody> </table>	Element length		400	4 7/8"	401	9 3/4"	410	10"	402	19 1/2"	420	20"*		<table border="1"> <thead> <tr> <th colspan="2">Drain</th> </tr> </thead> <tbody> <tr> <td></td> <td>none</td> </tr> <tr> <td>A</td> <td>with drain</td> </tr> </tbody> </table>	Drain			none	A	with drain		<table border="1"> <thead> <tr> <th colspan="2">Connection</th> </tr> </thead> <tbody> <tr> <td>3/4</td> <td>3/4"</td> </tr> <tr> <td>1</td> <td>1"</td> </tr> </tbody> </table>	Connection		3/4	3/4"	1	1"
Element length																													
400	4 7/8"																												
401	9 3/4"																												
410	10"																												
402	19 1/2"																												
420	20"*																												
Drain																													
	none																												
A	with drain																												
Connection																													
3/4	3/4"																												
1	1"																												

Order example: AT-410-A-G-SS-3/4

* Exclusive with drain